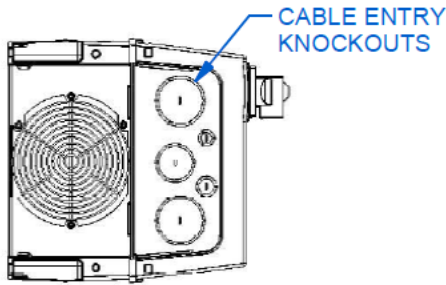
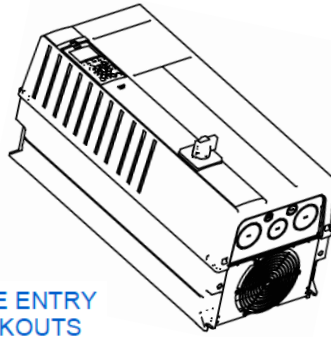
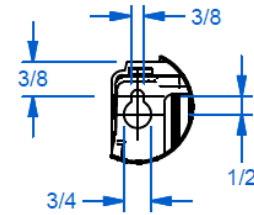
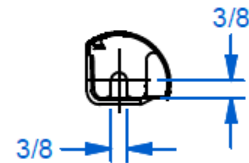
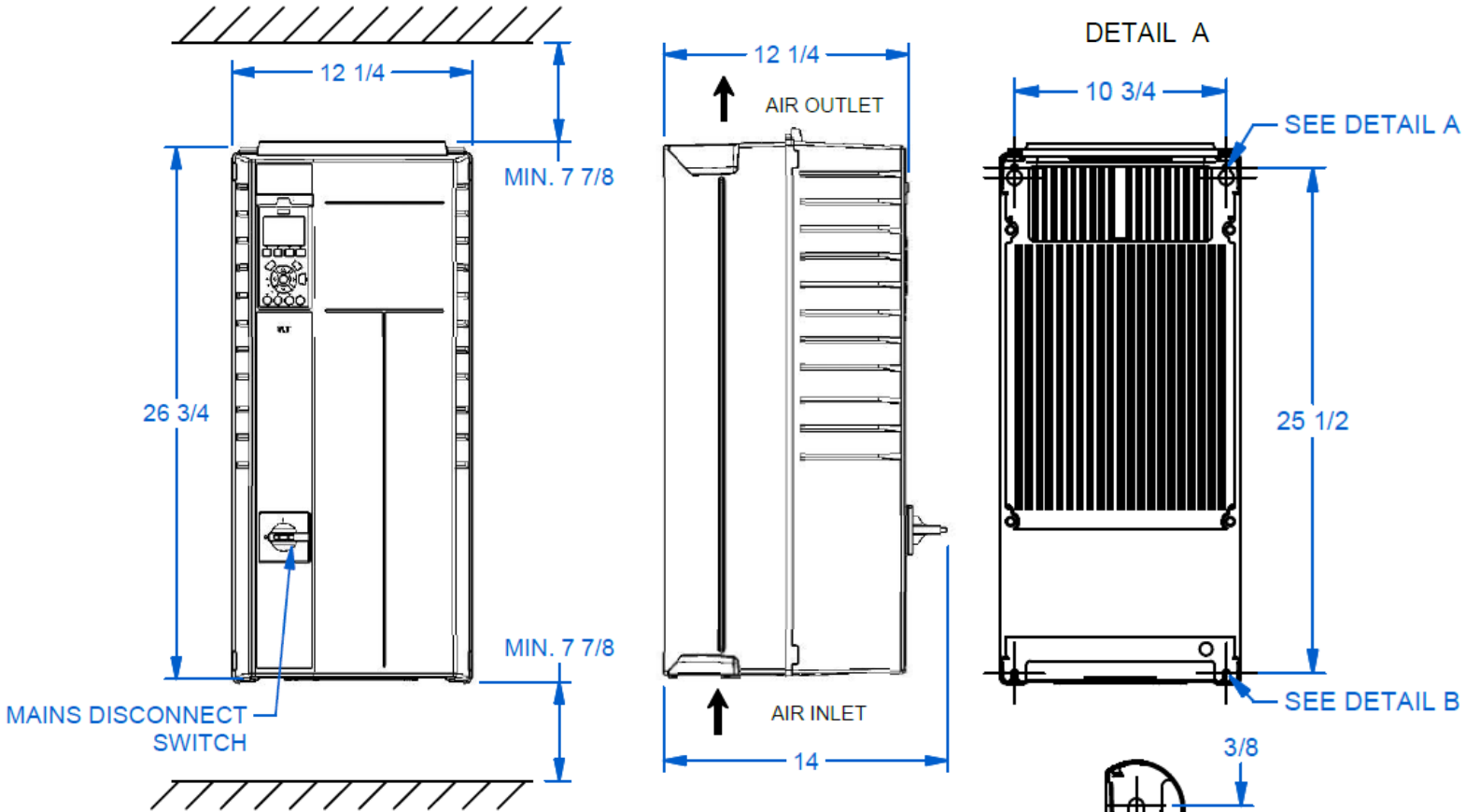


**\*Notes\*:**

- Shielded cable required from VFD to motor
- All units are in inches otherwise specified


**VFD Properties**

Enclosure	IP66 [NEMA 4X]
Frame Size	C1
Rated	60 HP [37 - 45 Kw]
Supply Voltage [+/- 10%]	380 - 480V
Phase	3
Output Current 380-440V / 441-480V	90 / 80 A
Supply Frequency	50 / 60 Hz
Max Ambient Temperature	122 °F / 50 °C
Fused Disconnect	Yes
Weight	97 lbs

**VFD Dimensions**

**DETAIL A**

**DETAIL B**