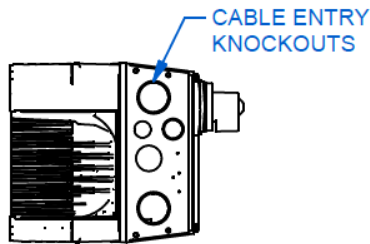
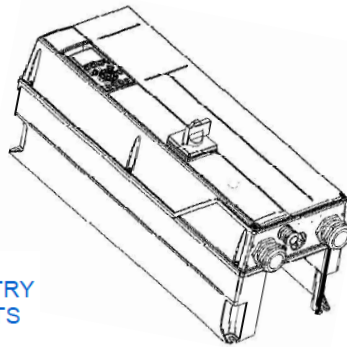
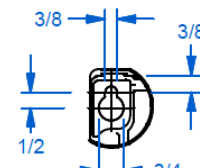
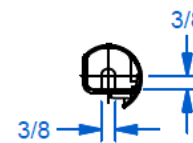
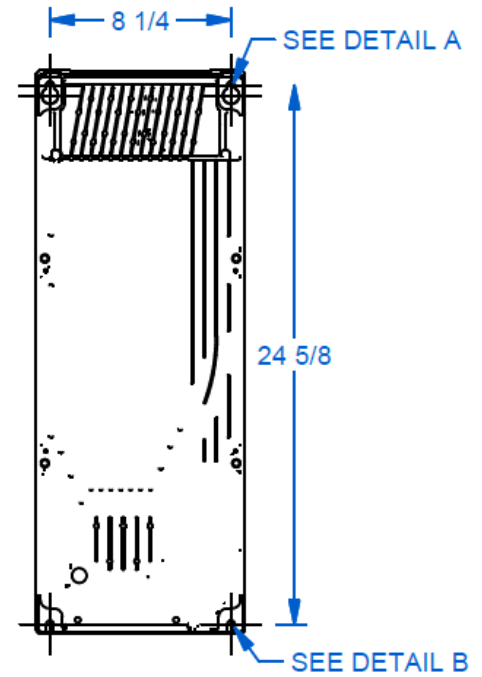
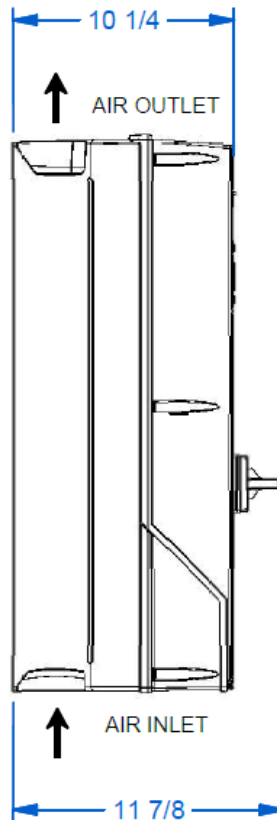
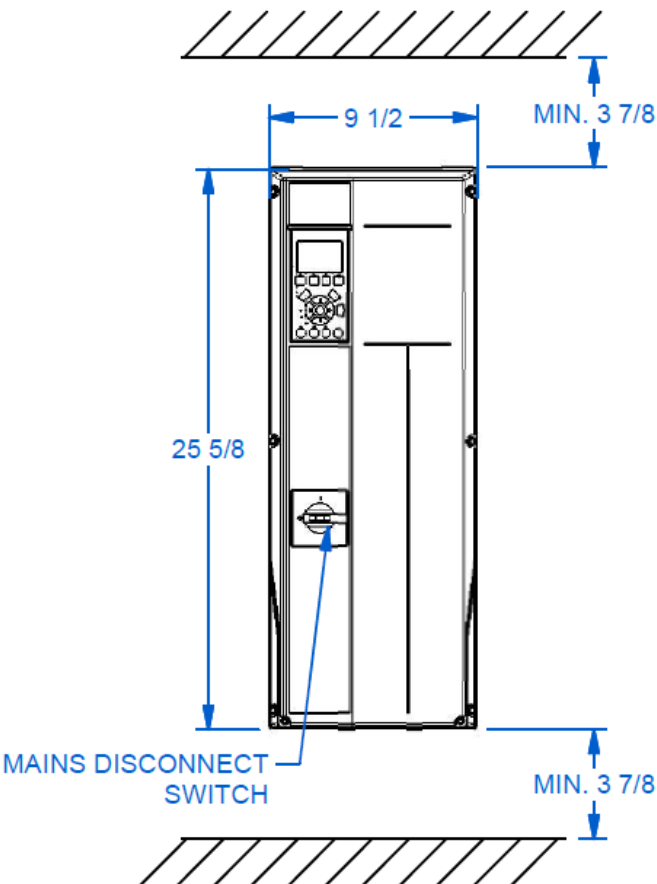


**\*Notes\*:**

- Shielded cable required from VFD to motor
- All units are in inches otherwise specified


**VFD Properties**

|                                    |                    |
|------------------------------------|--------------------|
| Enclosure                          | IP66 [NEMA 4X]     |
| Frame Size                         | B2                 |
| Rated                              | 40 HP [22 - 30 Kw] |
| Supply Voltage [+/- 10%]           | 380 - 480V         |
| Phase                              | 3                  |
| Output Current 380-440V / 441-480V | 44 / 40 A          |
| Supply Frequency                   | 61 / 52 Hz         |
| Max Ambient Temperature            | 122 °F / 50 °C     |
| Fused Disconnect                   | Yes                |
| Weight                             | 60 lbs             |

**VFD Dimensions**

**DETAIL A**

**DETAIL B**