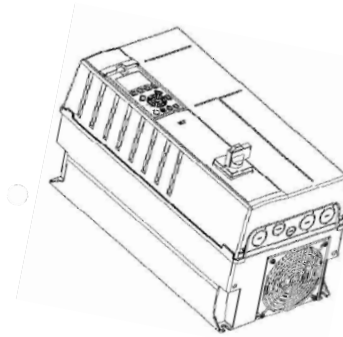


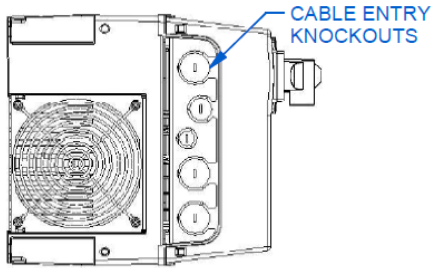
***Notes*:**

- Shielded cable required from VFD to motor
- All units are in inches otherwise specified

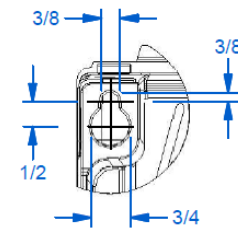


VFD Properties

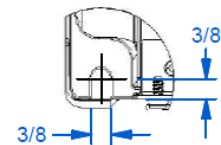
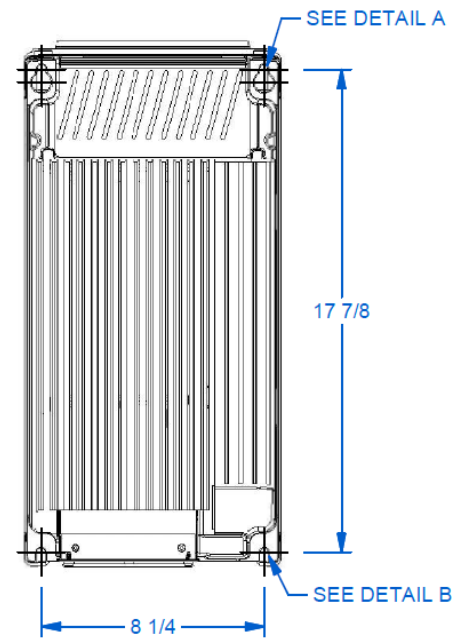
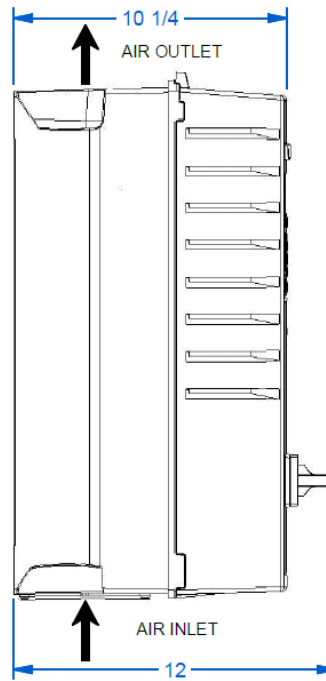
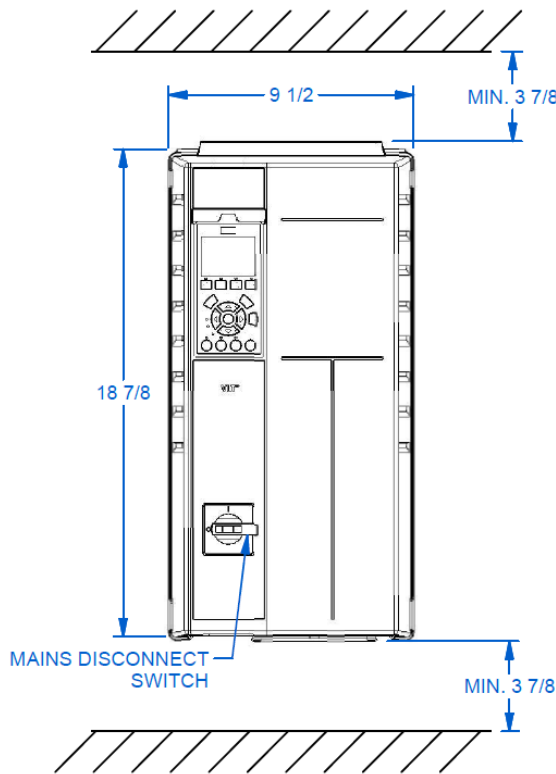
| | |
|------------------------------------|----------------------|
| Enclosure | IP66 [NEMA 4X] |
| Frame Size | B1 |
| Rated | 25 HP [15 - 18.5 Kw] |
| Supply Voltage [+/- 10%] | 380 - 480V |
| Phase | 3 |
| Output Current 380-440V / 441-480V | 37.5 / 34 A |
| Supply Frequency | 50 / 60 Hz |
| Max Ambient Temperature | 122 °F / 50 °C |
| Fused Disconnect | Yes |
| Weight | 51 lbs |



VFD Dimensions



DETAIL A



DETAIL B