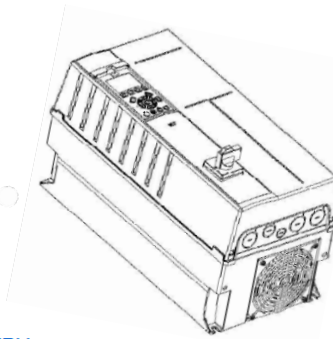


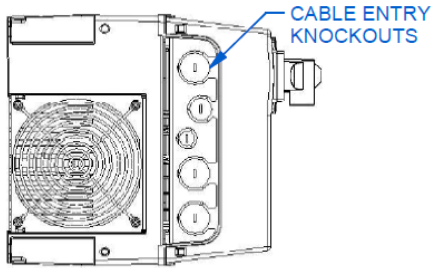
***Notes*:**

- Shielded cable required from VFD to motor
- All units are in inches otherwise specified

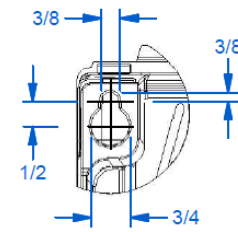


VFD Properties

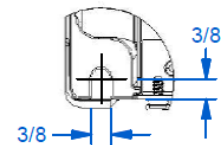
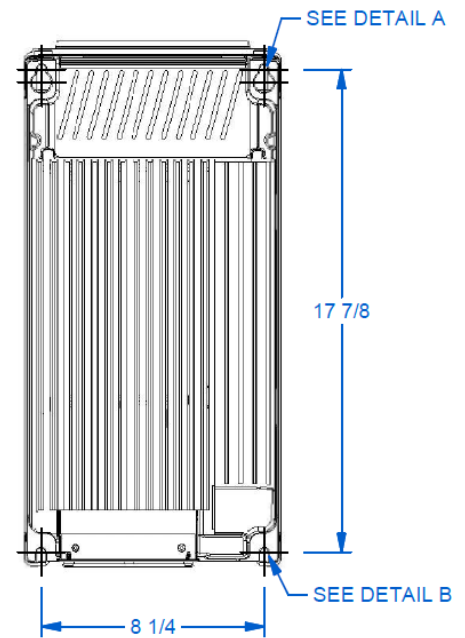
Enclosure	IP66 [NEMA 4X]
Frame Size	B1
Rated	20 HP [11 - 15 Kw]
Supply Voltage [+/- 10%]	380 - 480V
Phase	3
Output Current 380-440V / 441-480V	32 / 27 A
Supply Frequency	50 / 60 Hz
Max Ambient Temperature	122 °F / 50 °C
Fused Disconnect	Yes
Weight	51 lbs



VFD Dimensions



DETAIL A



DETAIL B

