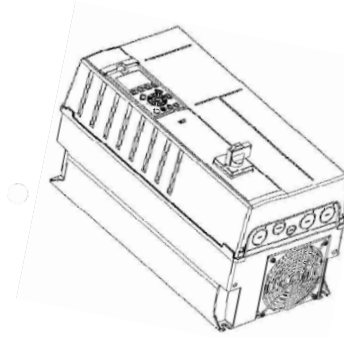
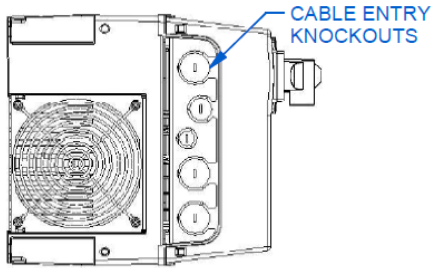
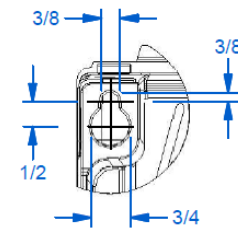
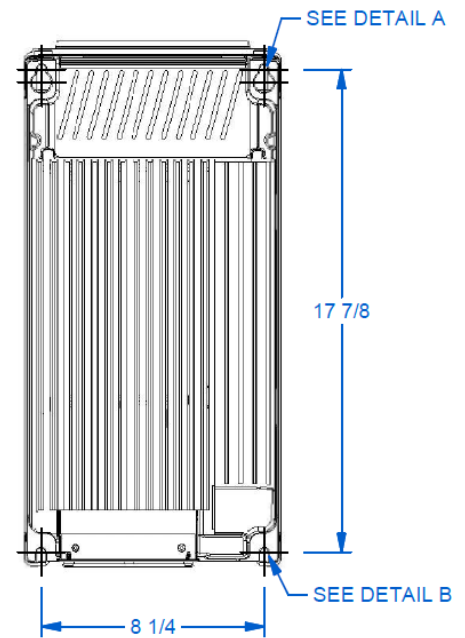


**\*Notes\*:**

- Shielded cable required from VFD to motor
- All units are in inches otherwise specified


**VFD Properties**

Enclosure	IP66 [NEMA 4X]
Frame Size	B1
Rated	15 HP [7.5 - 11 Kw]
Supply Voltage [+/- 10%]	380 - 480V
Phase	3
Output Current 380-440V / 441-480V	24 / 21 A
Supply Frequency	50 / 60 Hz
Max Ambient Temperature	122 °F / 50 °C
Fused Disconnect	Yes
Weight	51 lbs


**VFD Dimensions**

**DETAIL A**

**DETAIL B**
