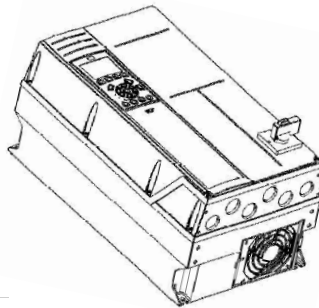


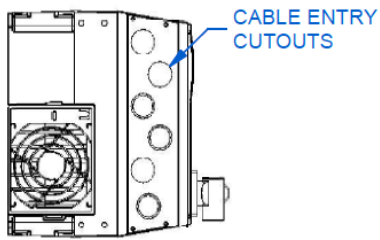
Notes:

- Shielded cable required from VFD to motor
- All units are in inches otherwise specified



VFD Properties

Enclosure	IP66 [NEMA 4X]
Frame Size	A5
Rated	7.5 HP [4 - 5.5 Kw]
Supply Voltage [+/- 10%]	380 - 480V
Phase	3
Output Current 380-440V / 441-480V	13 / 11 A
Supply Frequency	50 / 60 Hz
Max Ambient Temperature	122 °F / 50 °C
Fused Disconnect	Yes
Weight	30 lbs



VFD Dimensions

