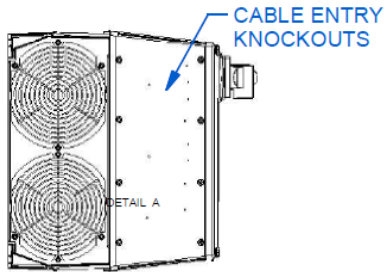
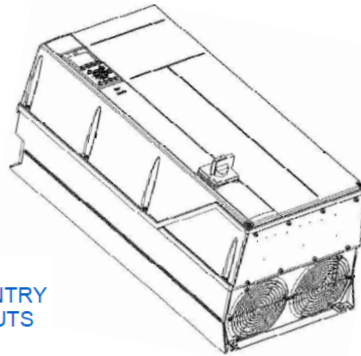
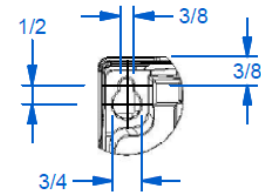
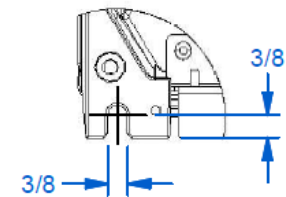
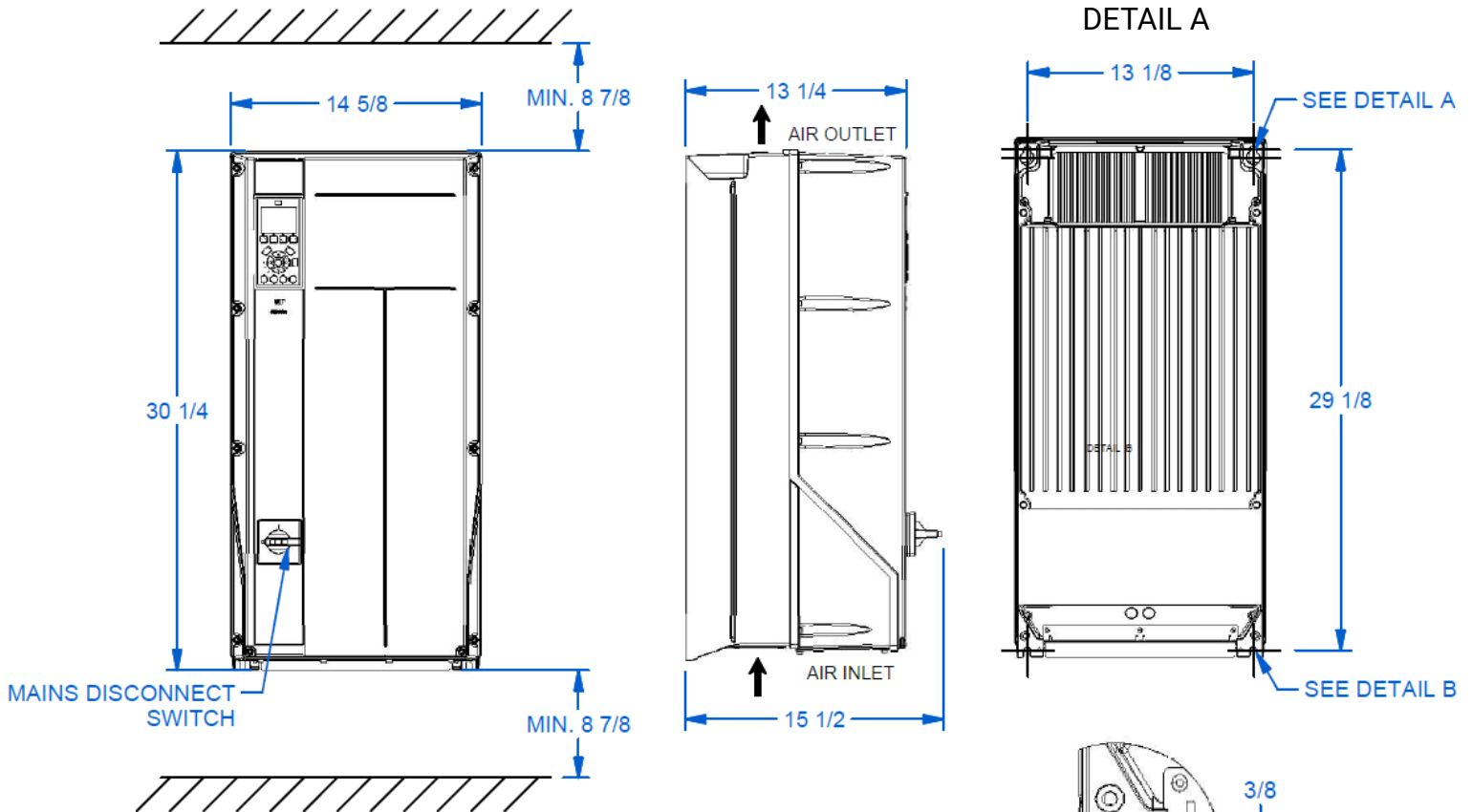


***Notes*:**

- Shielded cable required from VFD to motor
- All units are in inches otherwise specified


VFD Properties

Enclosure	IP66 [NEMA 4X]
Frame Size	C2
Rated	60 HP [30 - 37 Kw]
Supply Voltage [+/- 10%]	200 - 240V
Phase	3
Output Current 200 - 240V	170 A
Supply Frequency	50 / 60 Hz
Max Ambient Temperature	122 °F / 50 °C
Fused Disconnect	Yes
Weight	143 lbs

VFD Dimensions

DETAIL A

DETAIL B