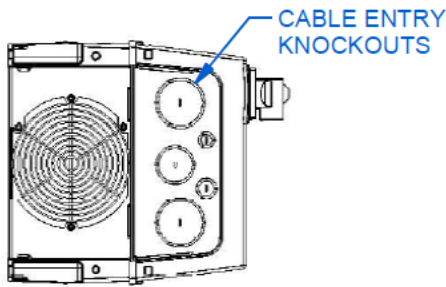
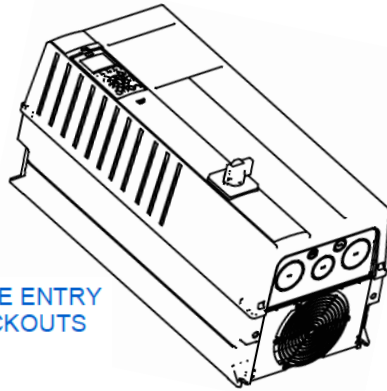
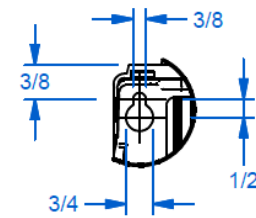
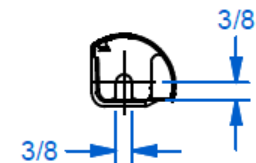
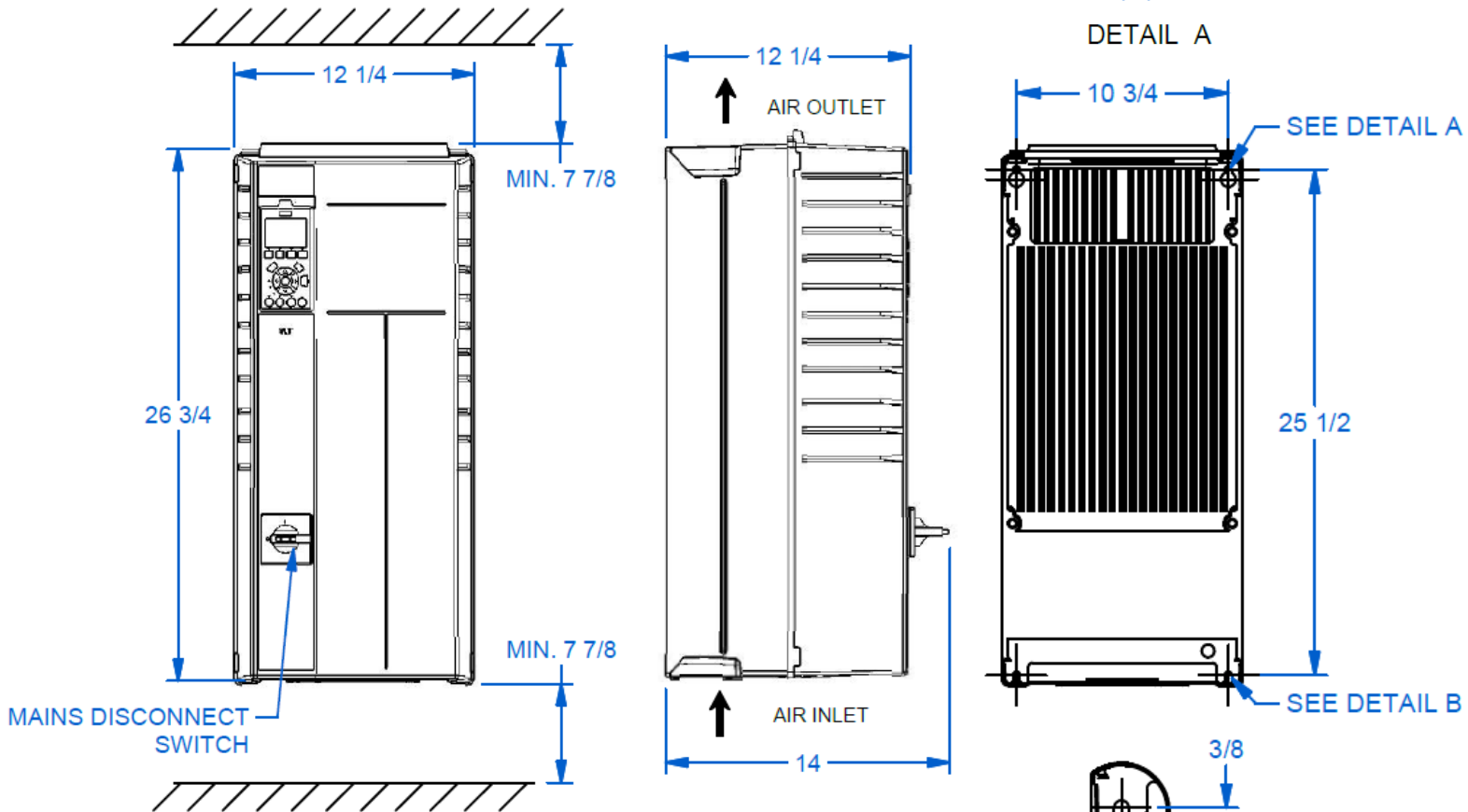


**\*Notes\*:**

- Shielded cable required from VFD to motor
- All units are in inches otherwise specified


**VFD Properties**

Enclosure	IP66 [NEMA 4X]
Frame Size	C1
Rated	30 HP [18.5 - 22 Kw]
Supply Voltage [+/- 10%]	200 - 240V
Phase	3
Output Current 200 - 240V	88 A
Supply Frequency	50 / 60 Hz
Max Ambient Temperature	122 °F / 50 °C
Fused Disconnect	Yes
Weight	97 lbs

**VFD Dimensions**

**DETAIL A**

**DETAIL B**