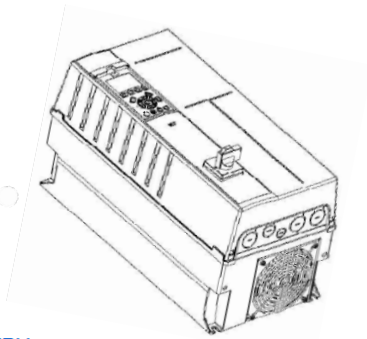
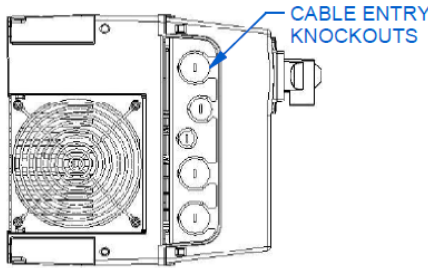
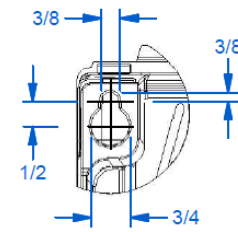
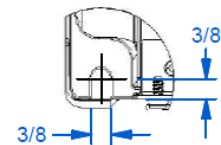
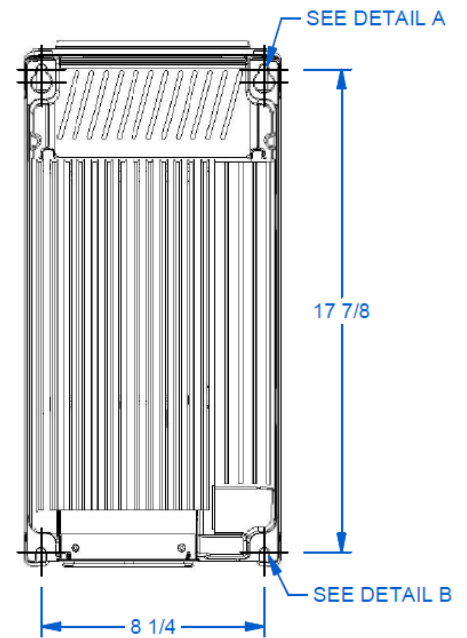
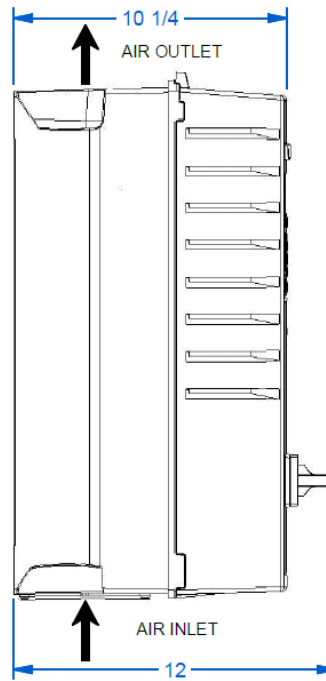
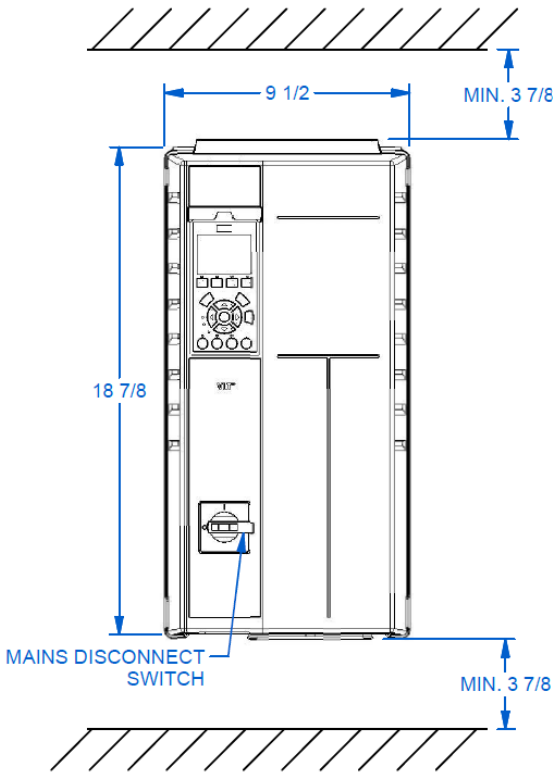


**\*Notes\*:**

- Shielded cable required from VFD to motor
- All units are in inches otherwise specified


**VFD Properties**

Enclosure	IP66 [NEMA 4X]
Frame Size	B1
Rated	7.5 HP [4 - 5.5 Kw]
Supply Voltage [+/- 10%]	200 - 240V
Phase	3
Output Current 200-240V	24.2 A
Supply Frequency	50 / 60 Hz
Max Ambient Temperature	122 °F / 50 °C
Fused Disconnect	Yes
Weight	51 lbs


**VFD Dimensions**

**DETAIL A**

**DETAIL B**