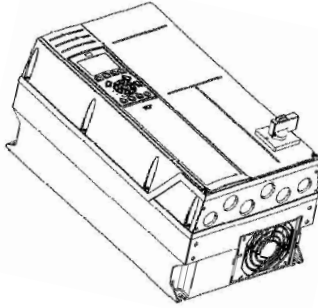
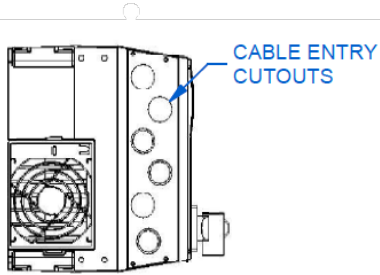


***Notes*:**

- Shielded cable required from VFD to motor
- All units are in inches otherwise specified


VFD Properties

Enclosure	IP66 [NEMA 4X]
Frame Size	A5
Rated	5 HP [1.5 - 2.2 Kw]
Supply Voltage [+/- 10%]	200 - 240V
Phase	3
Output Current 200-240V	16.4 A
Supply Frequency	50 / 60 Hz
Max Ambient Temperature	122 °F / 50 °C
Fused Disconnect	Yes
Weight	30 lbs


VFD Dimensions
