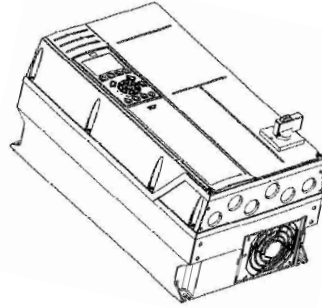


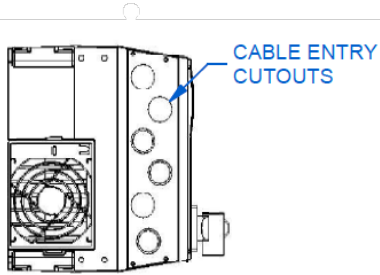
Notes:

- Shielded cable required from VFD to motor
- All units are in inches otherwise specified



VFD Properties

| | |
|--------------------------|---------------------|
| Enclosure | IP66 [NEMA 4X] |
| Frame Size | A5 |
| Rated | 3 HP [1.5 - 2.2 Kw] |
| Supply Voltage [+/- 10%] | 200 - 240V |
| Phase | 3 |
| Output Current 200-240V | 10.6 A |
| Supply Frequency | 50 / 60 Hz |
| Max Ambient Temperature | 122 °F / 50 °C |
| Fused Disconnect | Yes |
| Weight | 30 lbs |



VFD Dimensions

